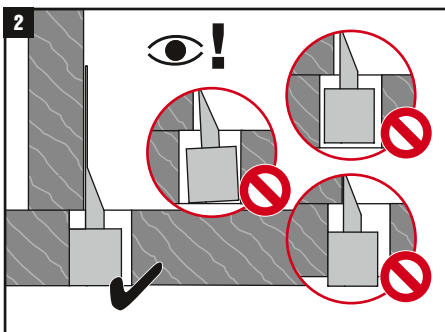
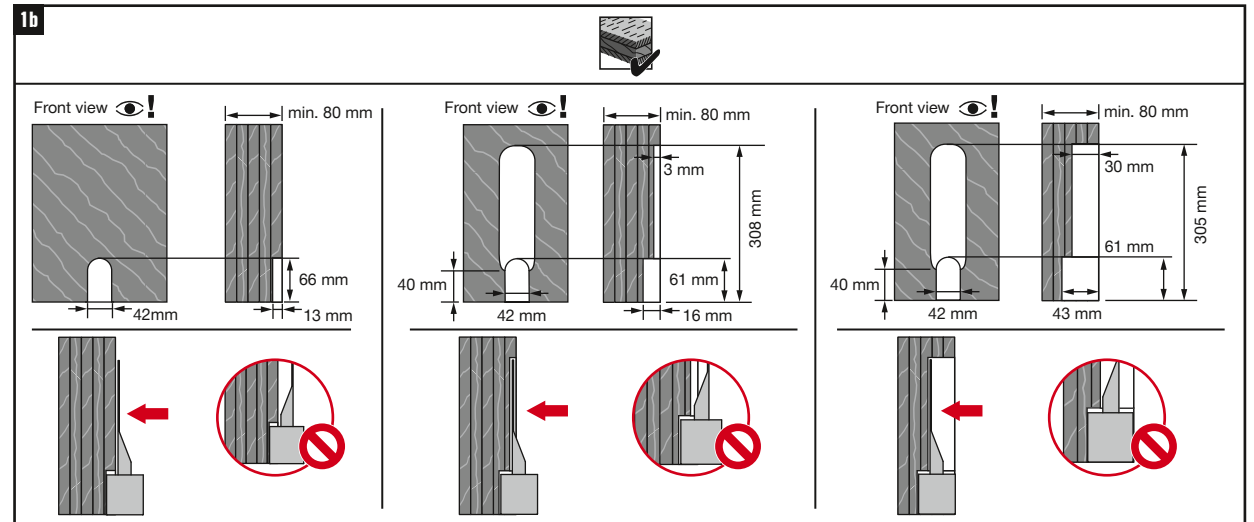
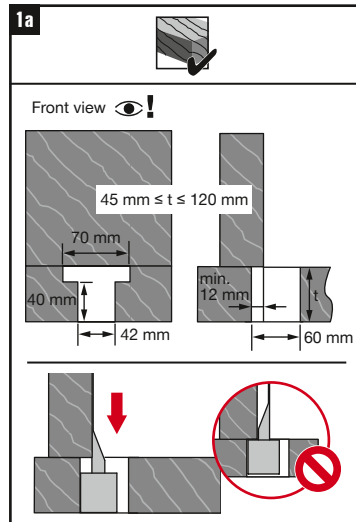




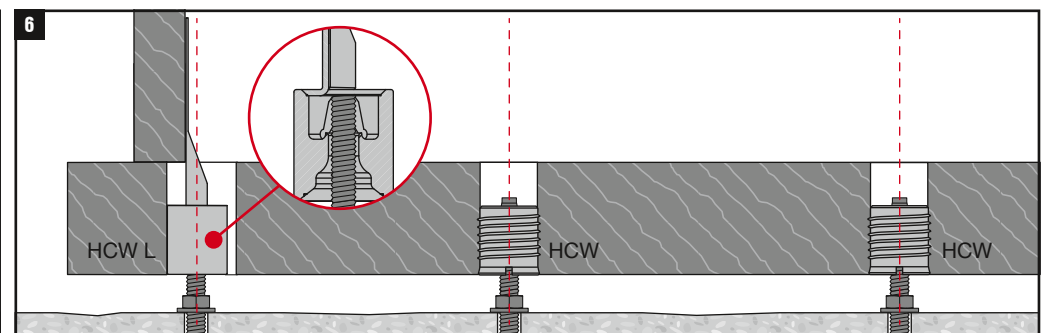
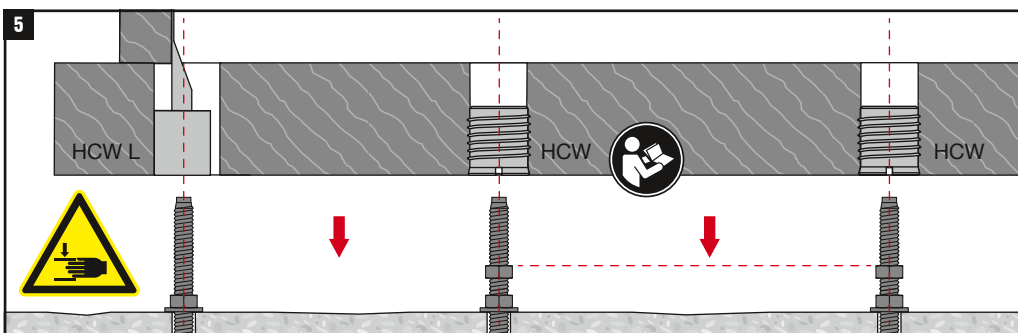
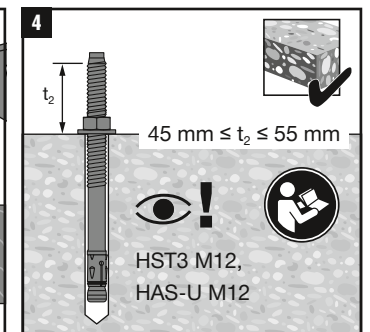
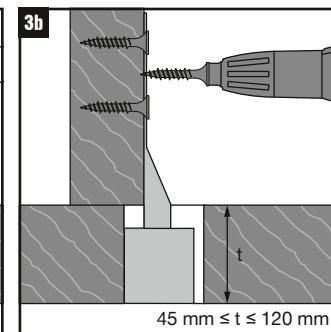
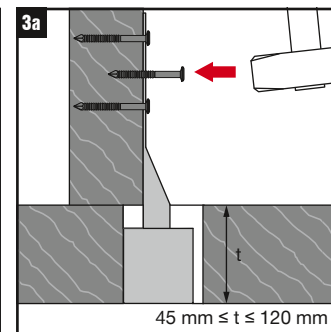
	HCW L
	HAS-U M12 + HIT-HY
	HST3 M12
	d = 4 mm
	l ≥ 35 mm



3 $t_{\min} = 45 \text{ mm}$ $t_{\max} = 120 \text{ mm}$

t [mm]	HCW L	Screw
45		25×
46 ... 60		23×
61 ... 80		20×
81 ... 100		18×
101 ... 120		15×

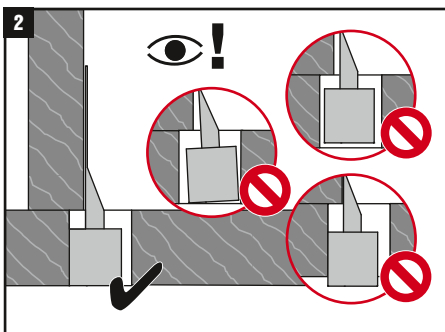
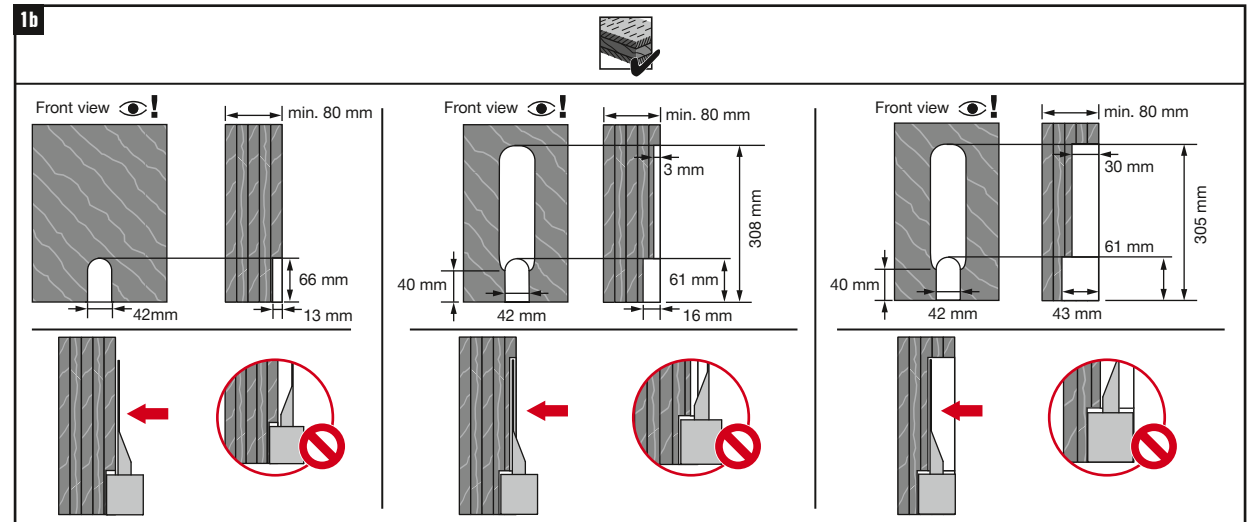
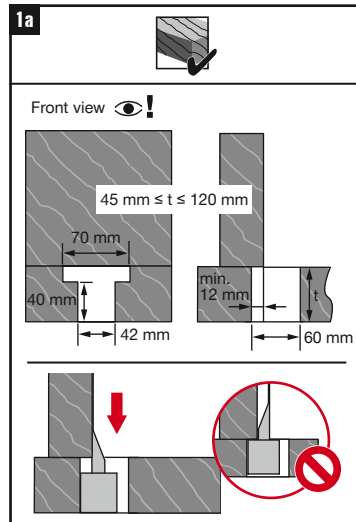
HCW L





	HCW L
	HSW M12×220/60 8.8 M12×140 4.6
	SIW 8 SF 10W

	d = 4 mm
	l ≥ 35 mm



3 $t_{min} = 45 \text{ mm}$ $t_{max} = 120 \text{ mm}$

t [mm]	HCW L	HSW
45		25×
46 ... 60		23×
61 ... 80		20×
81 ... 100		18×
101 ... 120		15×

HCW L

