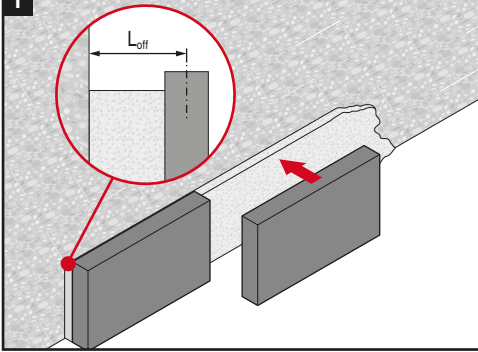
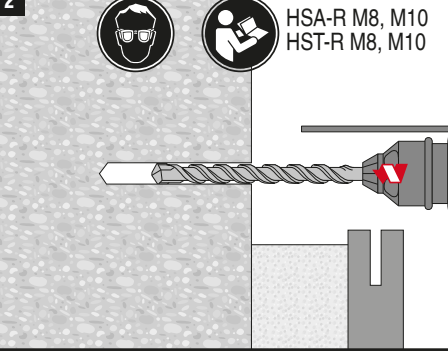


	$L_{off}$
HC-SF-A 65-83 HC-SF-A 65-83 (B)	65...83 mm
HC-SF-A 83-120 HC-SF-A 83-120 (B)	83...120 mm

**1**



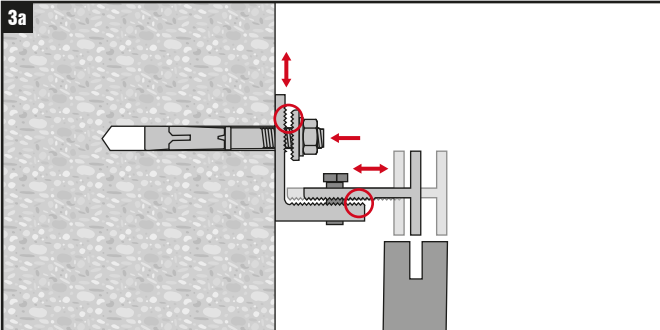
**2**



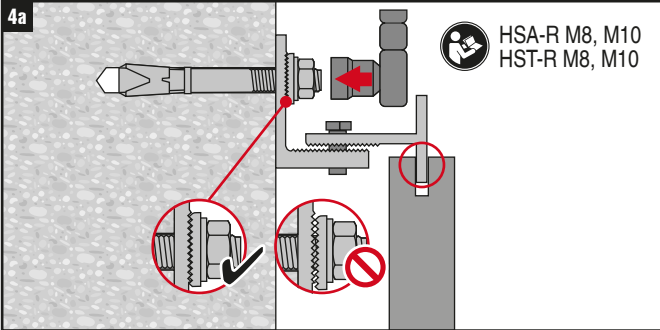
HSA-R M8, M10  
HST-R M8, M10

### HC-SF-A 65-83 / HC-SF-A 83-120

**3a**

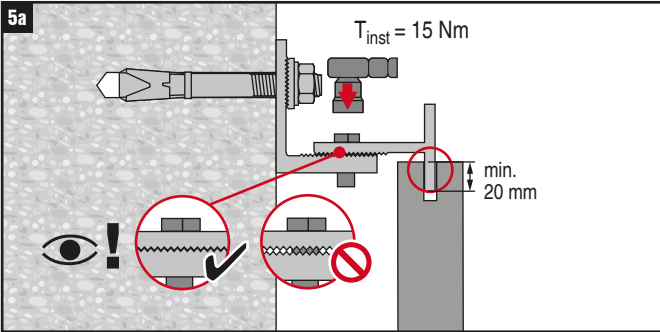


**4a**



HSA-R M8, M10  
HST-R M8, M10

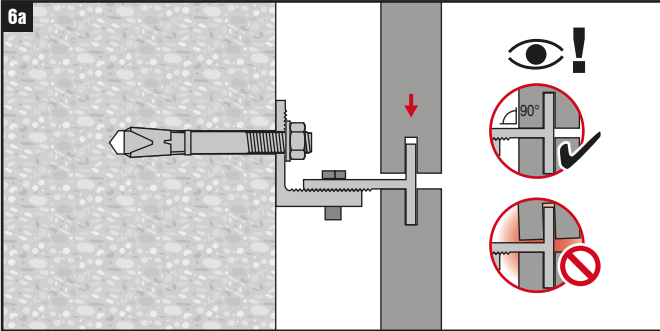
**5a**



$T_{inst} = 15 \text{ Nm}$

min. 20 mm

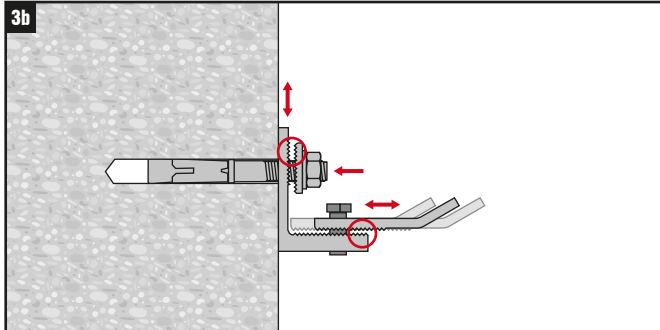
**6a**



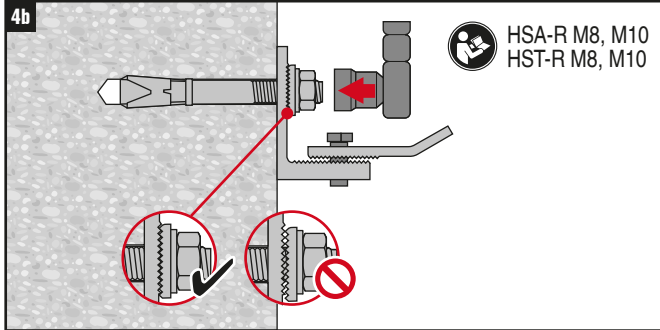
90°

### HC-SF-A 65-83 (B) / HC-SF-A 83-120 (B)

**3b**

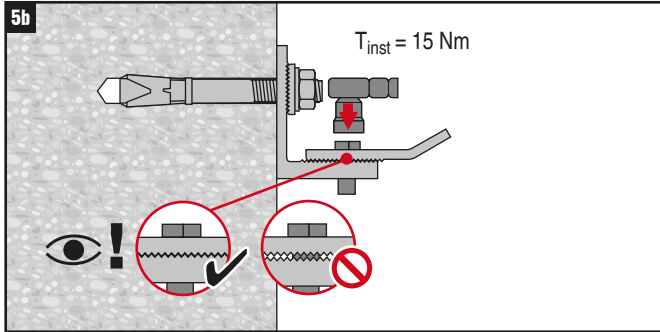


**4b**



HSA-R M8, M10  
HST-R M8, M10

**5b**



$T_{inst} = 15 \text{ Nm}$

**6b**

